

## POWER STRIPS

### Characteristics:

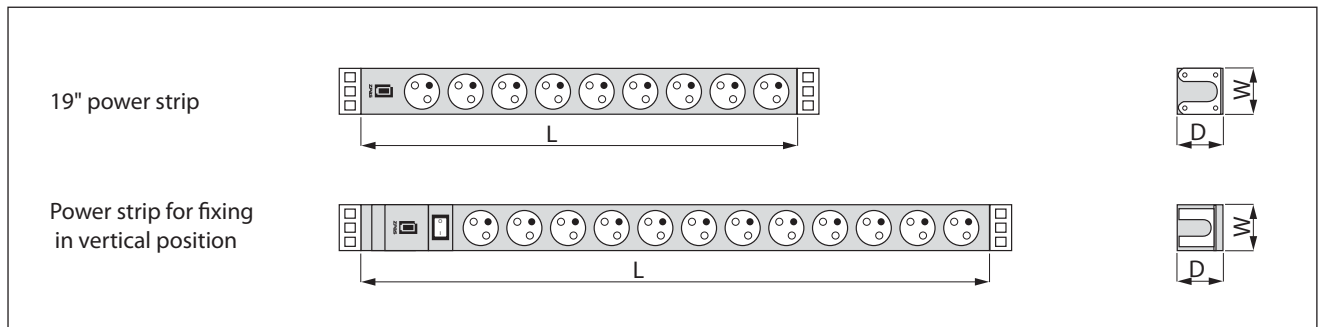
- Optimum height of 19" strips - 1 U (44.45 mm).
- 35° rotated position of outlet box enables unlimited usage of angular plugs (possibility of fixing strip directly one over another).
- Body of the strips made of anodized aluminium profile.
- Colour of outlets and front: light grey (RAL 7035).

### Technical data:

- Voltage rating ..... 230 V AC
- Maximum current ..... 16 A
- Attach power ..... 16 A / 3600 W
- Cable ..... 3 m, black, conductor section 1.5 mm<sup>2</sup>
- Protection degree ..... IP 20
- Surge current ..... 6,5 kA

### Scope of delivery:

Power strip with brackets and set of fixing accessories.



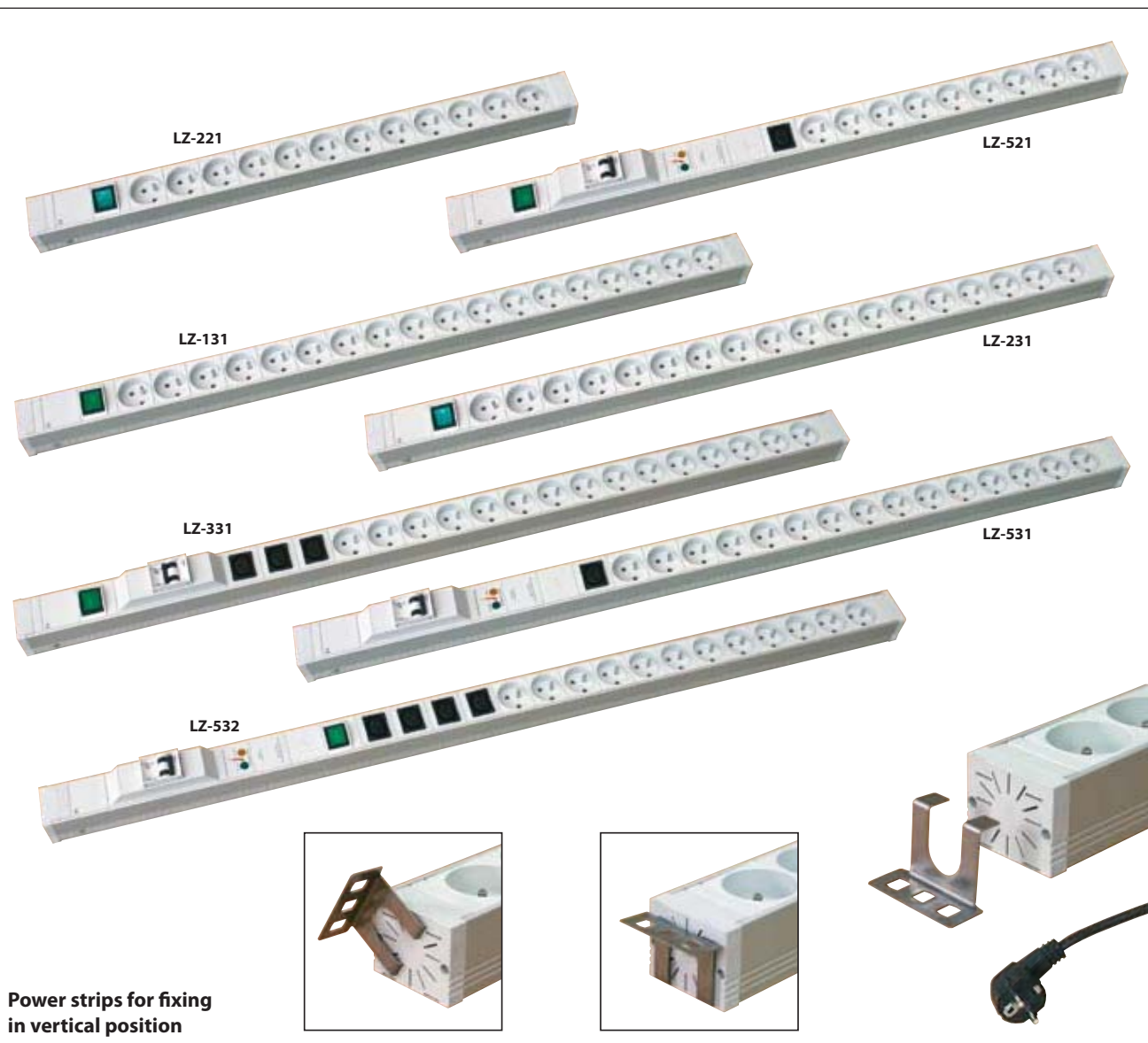
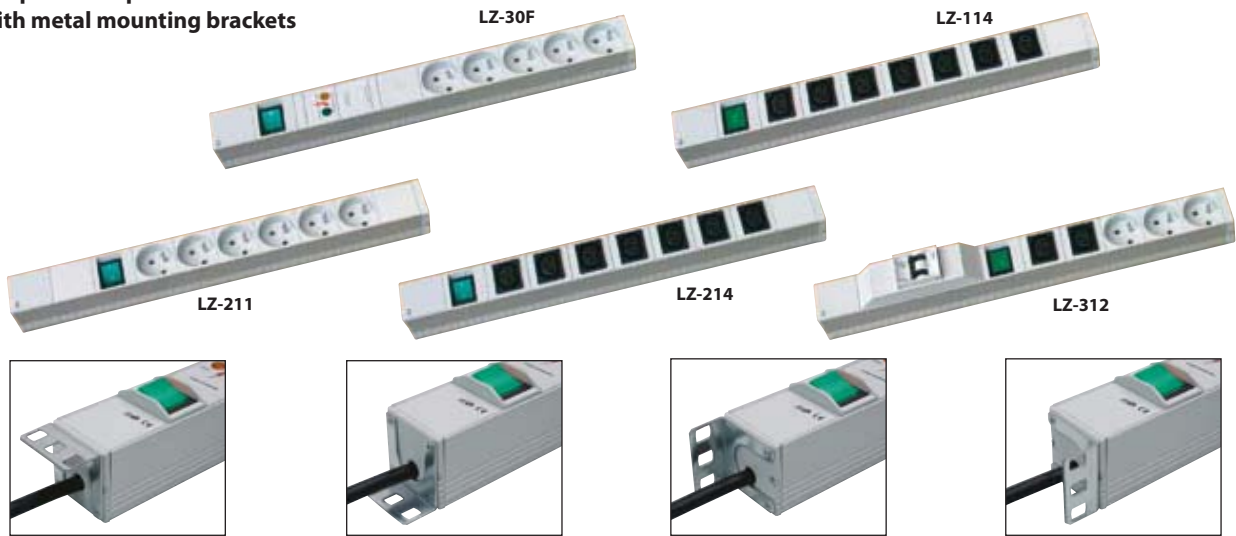
	Power strip type	Dimensions [mm]			Accessories						Catalogue number
		Length L [mm]	Width W [mm]	Depth D [mm]	Check lamp	Illuminated switch	Overvoltage protection with net filter	Miniature circuit breaker 2xC10	Number of plug-sockets type E (CEE 7/5)	Number of computer sockets IEC C14	
19" power strips	LZI-30/9	440	44	44					9		WZ-LZ130-09-00-000
	LZ-30F	440	44	44		●	●		5		WZ-LZ30-F0-00-000
	LZ-114	440	44	44	●					7	WZ-LZ11-40-00-000
	LZ-211	440	44	44		●			6		WZ-LZ21-10-00-000
	LZ-214	440	44	44		●				7	WZ-LZ21-40-00-000
	LZ-312	440	44	44	●			●	3	2	WZ-LZ31-20-00-000
Power strips for fixing in vertical position	LZ-221	660	52	44		●			12		WZ-LZ22-10-00-000
	LZ-521	830	52	44	●		●	●	9	1	WZ-LZ52-10-00-000
	LZ-131	915	52	44	●				18		WZ-LZ13-10-00-000
	LZ-231	915	52	44		●			18		WZ-LZ23-10-00-000
	LZ-331	1040	52	44	●			●	15	3	WZ-LZ33-10-00-000
	LZ-531	1040	52	44			●	●	15	1	WZ-LZ53-10-00-000
	LZ-532	1090	52	44	●		●	●	12	4	WZ-LZ53-20-00-000

Package: 1 pc.

Type of sockets								
Standard sockets		Sockets available on special request						
Type E (CEE 7/5) 230 V; 10/16 A	IEC C14 230 V; 10 A	Schuko 230 V; 10/16 A	Switzerland 230 V; 10 A	USA 125 V; 10 A	Denmark 230 V; 10 A	England 230 V; 13 A	Italy 230 V; 10/16 A	Australia 240 V; 10 A

## POWER STRIPS

19" power strips  
with metal mounting brackets



Power strips for fixing  
in vertical position

## PDU-1 SWITCHED POWER STRIP

The power strip is equipped with 8 sockets. It is intended for 19" server cabinets. It is designed for 1 U enclosures because of small diameter. It is equipped with RJ 45 socket for Ethernet connection according to the SNMP protocol. Thanks to notification of SNMP traps, e-mails and sound signals, the service can be alerted in the event of exceptional occurrences. Additionally, the digital pointer informing about the power supply of connected servers is installed in the front section.

The power strip is equipped with additional software for manual monitoring of power consumption in particular ports, setting off the alarm in the event of exceeding preset conditions.

**Additionally, the strip makes it possible to monitor all supply-  
ing ports via a web browser or attached software.**



Package	Colour	Catalogue number
1 pc.	RAL 9005	T1Z-01-0004

Basic parameters	
Installation	horizontally installed in 19" racks
Current meter	digital true RMS
Power monitor	meter, Web, SNMP, free bundle software
Remote power control	Web, SNMP
Audible alarm	2 Phase, warning and overload
Event alert	e-mail, trap SNMP, audible alarm
Protection	circuit breaker 16 A
Output	8 sockets IEC320 C13
Input	IEC320 C20 attached power cord, 3 m
Communication	
Ethernet LED	1 yellow LED
Status LED	1 green LED
Power LED	8 green LED
Power monitor	RJ45
Power measurement	digital meter; range: 0-20 A
Metering range	resolution: 0.1 A
Operation and environment	
Input voltage	230 V
Frequency	50/60 Hz (full range)
Max. output current	16 A
Temperature	0-40 °C
Humidity	0-90%
Size	90 x 432 x 44 mm
Weight	3 kg

## VOLTAGE DISTRIBUTION PANEL

Universal 19" enclosure for modular devices.  
In the standard version equipped with DIN rail and housing with 402.5 x 45.5 mm opening.

**Dimensions:**

- height: ..... 133 mm (3 U),
- width: ..... 19" (internal width: 446 mm),
- depth: ..... 60 mm

**Capacity of panel** - maximum number of built-in S-type modules (width of module 17.5 mm): 22 pcs.

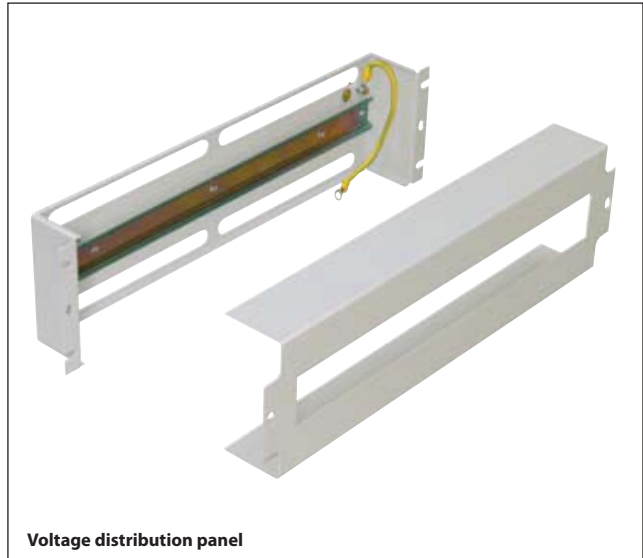
**Material:**

1.5 mm thick sheet steel textured powder painted in light grey (RAL 7035) or black (RAL 9005).

**Scope of delivery:**

In the standard version, panels are sold as empty enclosures, complete with:

- mounting base,
- DIN rail,
- housing,
- fixing accessories.



Voltage distribution panel

Package	Colour	Catalogue number
1 pc.	RAL 7035	WZ-PS3U-00-00-011
	RAL 9005	WZ-PS3U-00-00-161



On individual request, the panel can be fitted with electrical equipment in accordance with technical documentation prepared by ZPAS or by the customer.