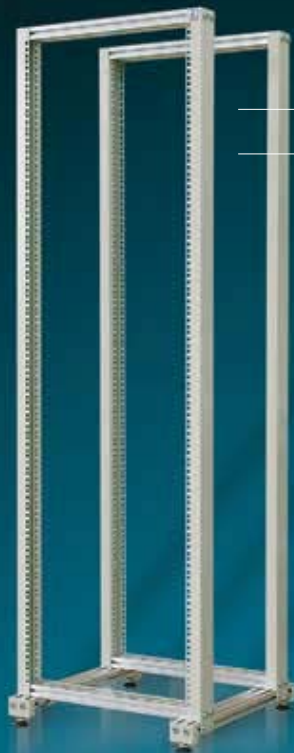
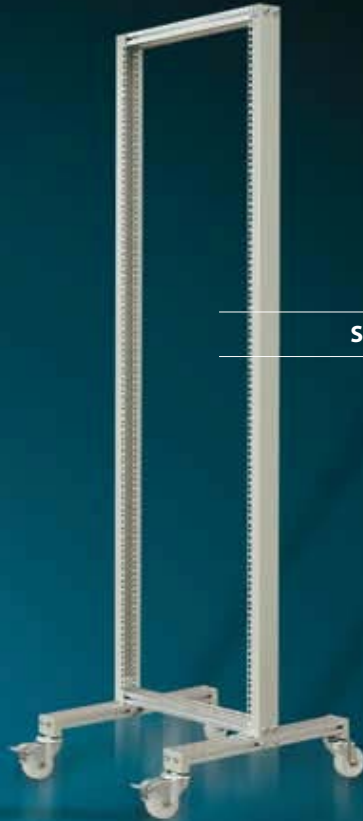


OPEN RACKS



SRD



SRS



SRC



SRK



SRX

SRS, SRD 19" OPEN RACKS

Intended for installations which do not require full housing

- SRS rack has one 19" frame, while SRD rack has double 19" frame.
- In both types of racks it is possible to have optional adjustment of 19" frame position.
- Modular design based on horizontal aluminium profiles and vertical steel posts.
- Open racks are set on levelling feet.
- Various supplementary accessories are available as for data telecom cabinets - castors, shelves, drawers, power strips etc.

Technical data

Material:

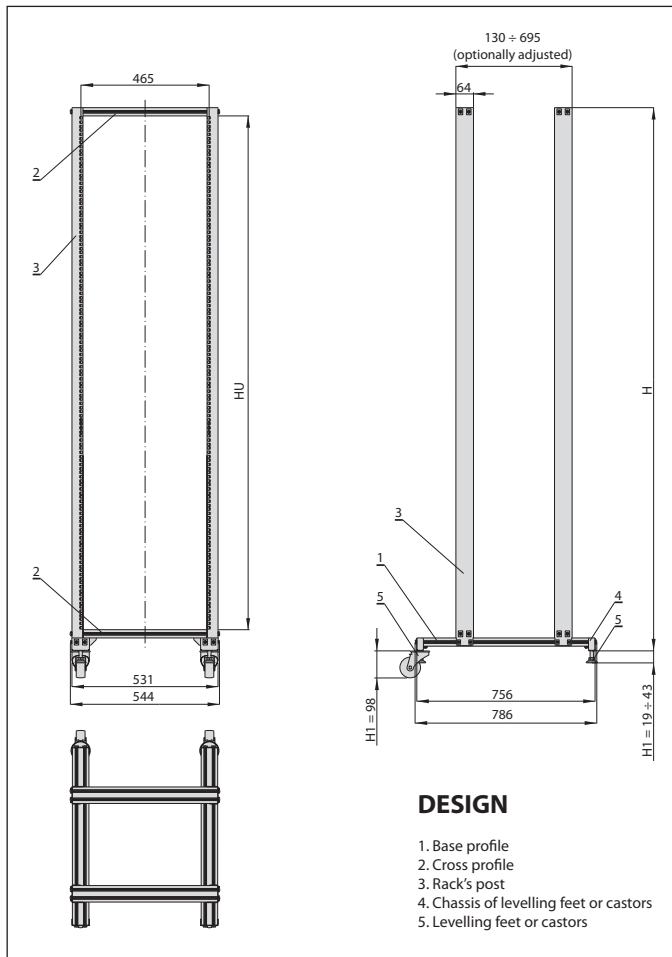
1.5 mm thick sheet steel,
aluminium profile 60 x 30 mm

Surface finish:

Textured powder paint, light grey (RAL 7035).
All other colour options on request.

Reference chart

HU [U = 44.45 mm]	H [mm]	Number of 19" frames	Maximum load capacity [kg]	Catalogue number
24 U	1177	1	100	WZ-1969-01-01-011
36 U	1709	1	100	WZ-1969-01-02-011
42 U	1975	1	100	WZ-1969-01-03-011
45 U	2109	1	100	WZ-1969-01-04-011
24 U	1177	2	150	WZ-1969-01-05-011
36 U	1709	2	150	WZ-1969-01-06-011
42 U	1975	2	150	WZ-1969-01-07-011
45 U	2109	2	150	WZ-1969-01-08-011



SRX 19" OPEN RACK

Intended for installations which do not require full housing

- Made of two 19" welded frames that are fastened to the double-part chassis with screws.
- Positioning of the frames is based on a 50 mm pitch pattern.
- Standard rack is placed on levelling feet.
- Possibility for using some elements of supplementary equipment for data telecom cabinets – castors, shelves, drawers, power strips etc.

Technical data

Material:

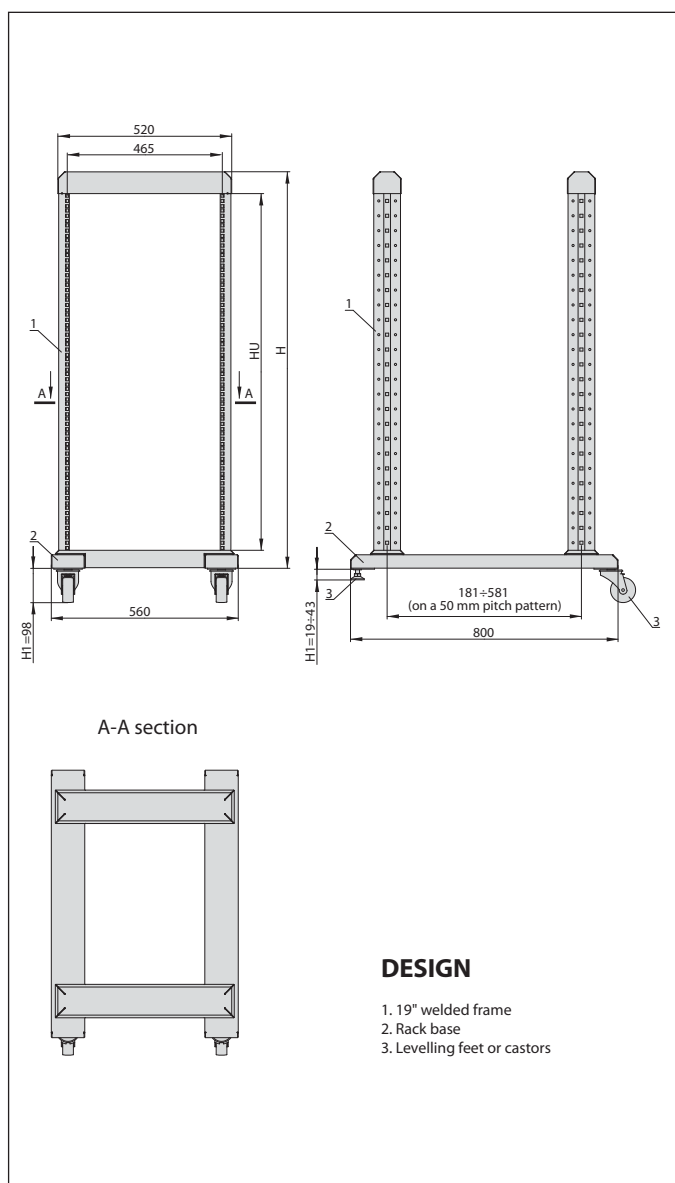
2.0 mm thick sheet steel

Surface finishing:

Textured powder paint, light grey (RAL 7035).
All other colour options on request.

Reference chart

HU [U = 44.45 mm]	H [mm]	Maximum load capacity [kg]	Catalogue number
24 U	1185	250	WZ-2493-01-01-011
36 U	1719	250	WZ-2493-01-02-011
42 U	1985	250	WZ-2493-01-04-011
45 U	2119	250	WZ-2493-01-05-011



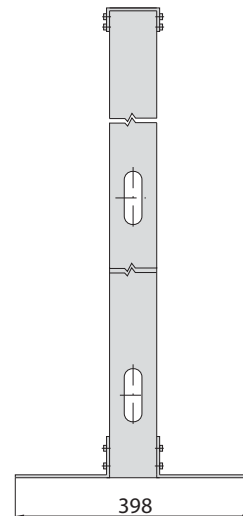
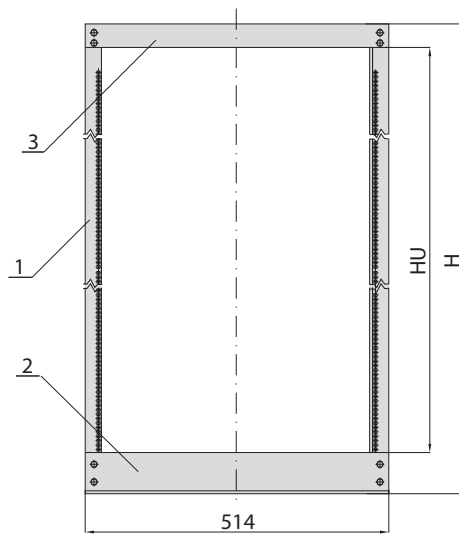
SRC 19" OPEN RACK

Intended for installations which do not require full housing

- The design is based on a single assembled 19" frame fixed by screws to two steel mounting angles forming the base.
- Chassis has openings to brace the rack to the floor.
- Optionally the rack can be equipped with wall-fastening brackets.
- Possibility to use some supplementary accessories as for data telecom cabinets: shelves, drawers, power strips etc.

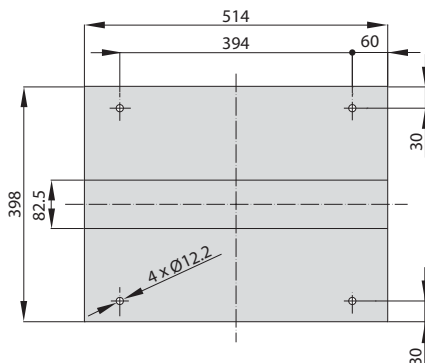
Reference chart

HU [U = 44.45 mm]	H [mm]	Maximum load capacity [kg]	Catalogue number
31 U	1496	100	WZ-0008-01-01-011
41 U	1941	100	WZ-0008-01-02-011
45 U	2119	100	WZ-0008-01-03-011
54 U	2519	100	WZ-0008-01-04-011



DESIGN

1. Vertical post
2. Chassis
3. Cross profile



Technical data

Material:

2.0 mm thick sheet steel

Surface finish:

Textured powder paint, light grey (RAL 7035).
All other colour options on request.

SRK 19" OPEN RACK

Intended for installations which do not require full housing

- The design consists of two screwed 19" frames which are fixed to two strengthened mounting angles forming the base.
- The distance of the frames can be changed by positioning at 50 mm steps.
- In the standard version the open rack is set on four adjustable feet.
- Roof and connectors for joining upper parts of both 19" frames can be ordered as supplementary accessories.
- Possibility to use some supplementary accessories as for data telecom cabinets: castors, shelves, drawers, power strips etc.

Technical data

Material:

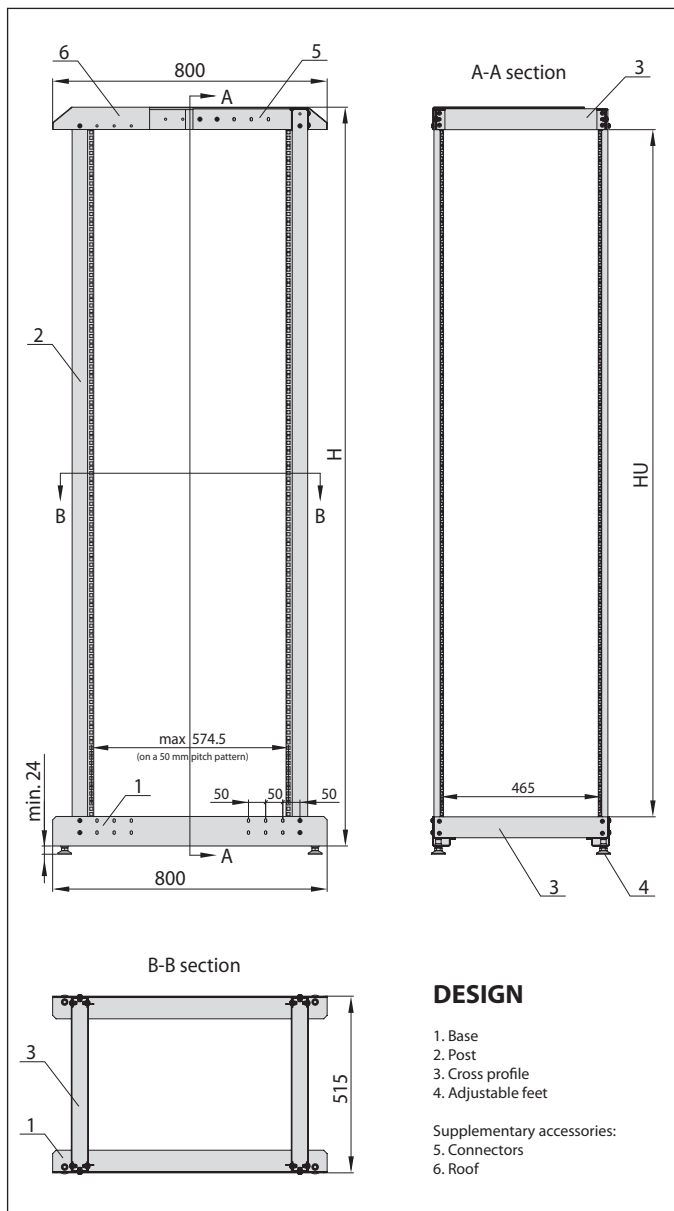
2.0 mm thick sheet steel

Surface finishing:

Textured powder paint, light grey (RAL 7035).
Application of other colours on request.

Reference chart

HU [U = 44.45 mm]	H [mm]	Maximum load capacity [kg]	Catalogue number
24 U	1190	110	WZ-2378-01-24-011
36 U	1724	110	WZ-2378-01-36-011
42 U	1990	110	WZ-2378-01-42-011
45 U	2124	110	WZ-2378-01-45-011



SUPPLEMENTARY ACCESORIES FOR SRK 19" OPEN RACK

Universal set of connectors for SRK open rack

For connecting upper 19" frames of SRK open rack in order to stiffen the rack.

Depending on the distance between the frames, 287 mm and 383 mm or 287 mm and 283 mm long connectors are used.

Material:

2,0 mm thick sheet steel powder painted in RAL 7035.

Scope of delivery:

Set of 3 pairs of connectors with fixing accessories. The connectors are 283, 287 or 383 mm long.

Package	Catalogue number
1 set	WZ-2378-19-00-011

Universal set of connectors



Way of connecting frames of SRK open rack



Roof for SRK open rack

For protection of equipment installed in open racks and to strengthen the structure.

Material:

1.5 mm thick sheet steel powder painted in RAL 7035.

Scope of delivery:

Roof with fixing accessories.

Package	Catalogue number
1 pc.	WZ-2378-07-00-011

Roof for SRK open rack

