

SZB 19" CABINET

Standard universal data communication cabinet

- Designed for indoor applications.
- Offered in 40 size variations (see the chart on page 15), of which 11 variations are in constant sale from our warehouse.
- Individual configuration:
 - multiple door, panel, roof options for maximum flexibility,
 - possibility to join cabinets in a row,
 - levelling feet, castor or plinth options,
 - multiple alternative cable entry options (brush, foam),
 - 21" mounting profiles also possible (in 800 mm wide cabinets),
 - individual configuration using simple coding.
- Wide range of supplementary accessories: shelves, drawers, fan units, power strips, blanking plates etc.
- Flexibility in manufacturing tailor-made cabinets.

Scope of delivery

Cabinet in basic configuration*
(cat. no. WZ-SZB-xxx-17AA-11-0000-011):

- frame,
- safety glass front door,
- two side panels,
- steel rear door shortened with 3 U module panel with brush strip, lockable,
- standard roof, raised, with perforated sides,
- 2 pairs of 19" mounting profiles,
- earthing bar and cables,
- cabinet placed on levelling feet.

*) Other configurations - see page 15.

Technical data

Material:

Frame	- 2.0 mm thick sheet steel
Side panels	- 0.8 mm thick sheet steel
Steel doors:	
- solid door	- 1.0 mm thick sheet steel
- steel door with Plexiglas	- 1.5 mm thick sheet steel, 4.0 mm thick Plexiglas
Glass door	- 6.0 mm thick safety glass
Glass door with metal sides	- 2.0 mm thick sheet steel, 6.0 mm thick safety glass
Mounting profiles	- 2.0 mm thick sheet steel

Protection degree:

IP 20 in accordance with EN 60529 / IEC 529 (does not apply to brush cable entries).

On request, IP 41 can be achieved.

Surface finishing:

Frame, roof, panels, doors, plinth - textured powder paint, light grey (RAL 7035). All other colour options on request.

Mounting profiles - Al-Zn coated.

Outriggers for 800 mm wide cabinets - galvanised.

Maximum load capacity: see chart on page 15

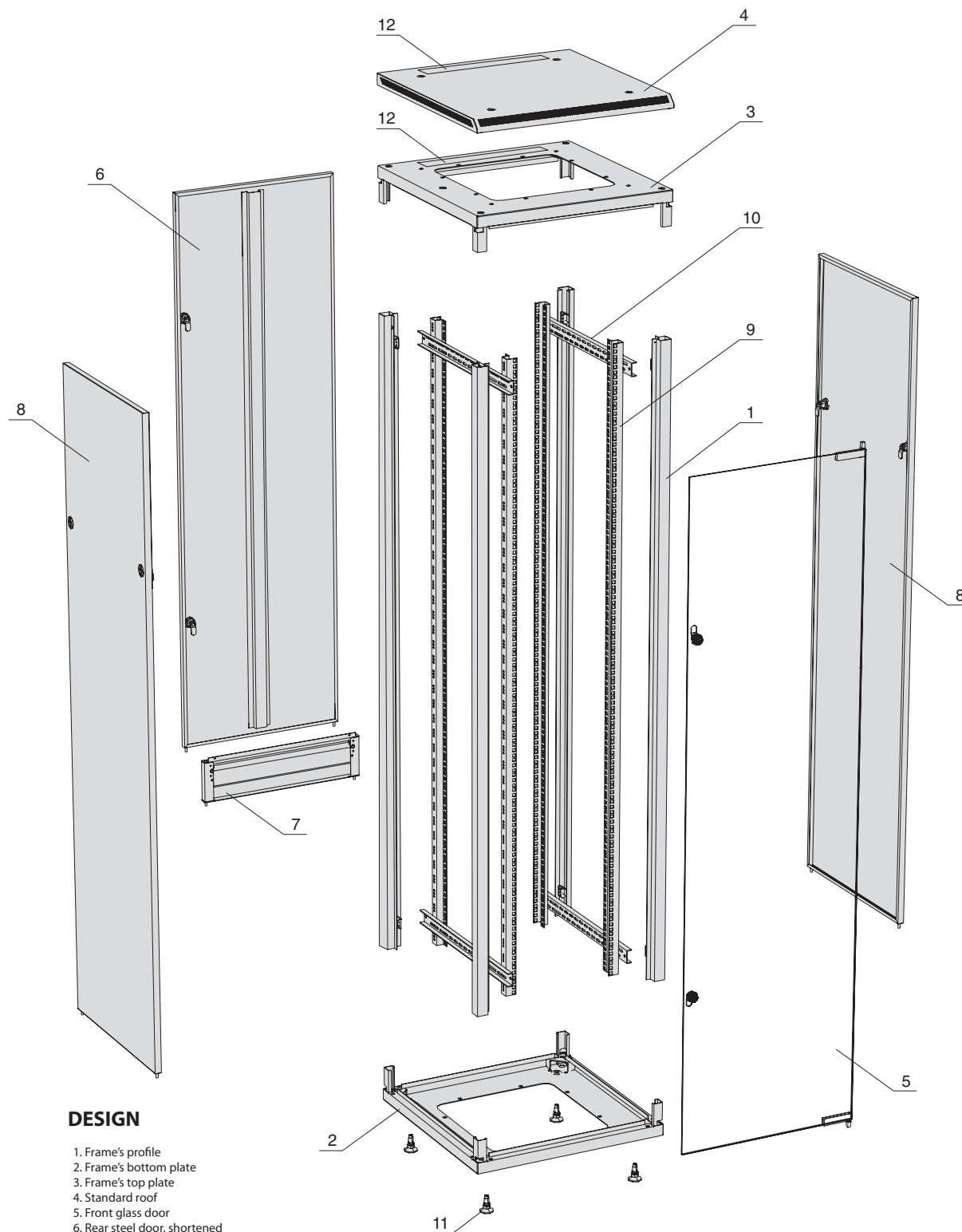


SZB cabinets in the basic configuration, 600 and 800 mm wide

SZB 19" CABINET

SZB cabinet 42 U, 600x600 mm in basic configuration

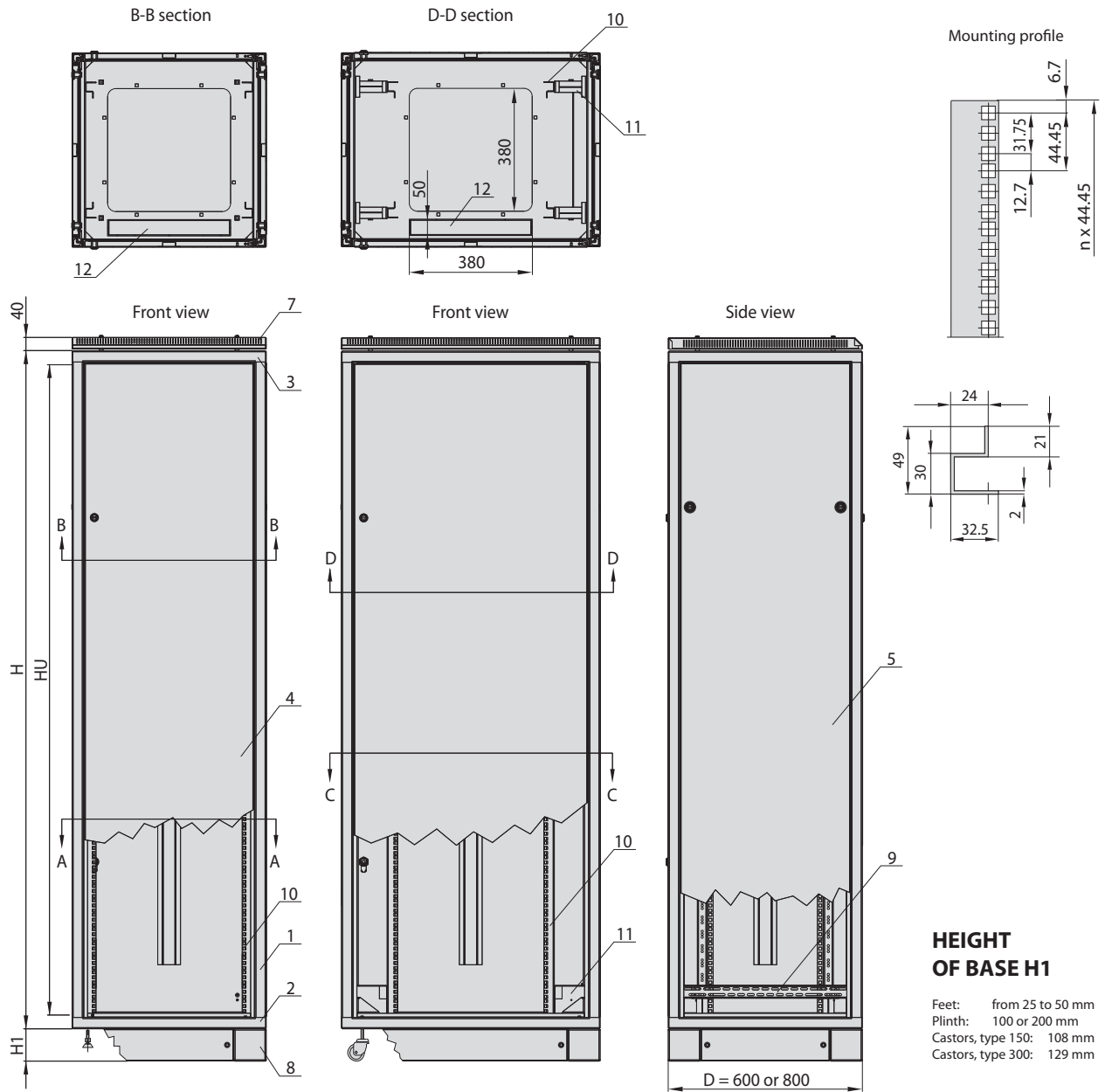
Other available configurations are presented on pages 15-18.



DESIGN

1. Frame's profile
2. Frame's bottom plate
3. Frame's top plate
4. Standard roof
5. Front glass door
6. Rear steel door, shortened
7. 3 U module with brush strip
8. Steel side panel
9. Mounting profile
10. C-profile
11. Adjustable feet
12. Knock-out blanking plate

SZB 19" CABINET



HEIGHT OF BASE H1

- Feet: from 25 to 50 mm
- Plinth: 100 or 200 mm
- Castors, type 150: 108 mm
- Castors, type 300: 129 mm

DESIGN

1. Frame's post
2. Frame's bottom plate
3. Frame's top plate
4. Front door
5. Side panel
6. Rear door or panel
7. Roof
8. Base (plinth, adjustable feet or castors)
9. C-profile
10. Mounting profile
11. Outrigger
12. Knock-out blanking plate

Notes:

Cable opening in the top plate of the cabinet is covered with a knock-out blanking plate (12).
 The same solution can be found in the roof of the cabinet (see the picture of a standard roof on page 18).
 Blanking plates for openings in the top and bottom plate - see pages 78-79.

Maximum door opening angle: 110°

SZB 19" CABINET

Reference chart

Total width W [mm]	Total depth D [mm]	Reference number									
		5	17	145	53	149	153	157	89	101	113
800	800	5	17	145	53	149	153	157	89	101	113
	600	6	18	146	54	150	154	158	90	102	114
600	800	9	21	147	57	151	155	159	93	105	117
	600	10	22	148	58	152	156	160	94	106	118
Usable height HU [U = 44.45 mm]		45 U	42 U	39 U	36 U	33 U	30 U	27 U	24 U	18 U	15 U
Frame height H [mm]		2096	1963	1830	1696	1563	1430	1296	1163	896	763

Note:

- Cabinet options in the red shaded fields are available in constant supply from ZPAS S.A.'s warehouse (this refers to cabinets with the following configuration: frame, four adjustable mounting profiles, two side panels, front glass door, lockable steel rear door shortened with 3 U module panel with brush strip, standard roof with perforation, four levelling feet, earthing bar and earthing cables for the doors and side panels - cat. no. WZ-SZB-xxx-17AA-11-0000-011).
- Lead time of other cabinets to be agreed upon with ZPAS Sales Department.

Catalogue number of SZB cabinet

Reference number
specifies the cabinet's overall dimensions (see reference chart). Zeros should be added before single-digit or double-digit numbers.
(Note: Cabinets with expanded side panels are only manufactured in the following ref. numbers 9, 21 and 147.)

Roof type:
1 - standard roof
2 - roof with extra perforation
3 - tight roof IP 41
4 - roof with opening for blanking/cable entry plate
For a detailed description of roof types, go to pages 18 and 78.

WZ-SZB - XXX - XXXX - XX - XXXX - 011

Door or panel type:
0 - without any doors or panels
1 - glass door
2 - steel door
3 - steel door with perforation in the bottom part
4 - steel door with Plexiglas
5 - steel door with Plexiglas and perforation
7 - steel door, shortened + 1 pc. of 3 U module panel with brush strip
9 - steel door, shortened + 2 pcs. of 3 U module panels with brush strip
Z - glass door with metal sides and rod-latch lock (specially designed as front or rear door for cabinets higher than 18 U)
A - steel panel
C - steel side panel, shortened + 1 pc. of 3 U module panel with brush strip
E - steel side panel, shortened + 2 pcs. of 3 U module panels with brush strip
F - expanded steel side panel (only for cabinets with ref. numbers 9, 21 and 147)

Base type:
0 - without any base (cabinet set directly on bottom plate)
1 - levelling feet
2 - castors - type 150 (see page 76)
3 - castors - type 300 (see page 76)
4 - plinth 100 mm
5 - plinth 100 mm with levelling option
6 - plinth 200 mm
7 - plinth 200 mm with levelling option
8 - plinth 200 mm, widened (specially designed for SZB cabinets with expanded side panels).

Configuration of plinth's sides:
Four digits which specify plinth side type.
Four zeros (0000) should be entered for cabinet without any plinth.

Each side can be:

1 - solid		
2 - with perforation		
3 - with double perforation*		
4 - with a brush opening		
5 - with two brush openings		
6 - with a brush opening and perforation*		

* Only for plinths 200 mm in height.
For a detailed descriptions of plinths, see pages 74-75.

NOTE:

The delivery of a standard SZB cabinet (except for elements listed in cat. no.) includes the following: four mounting profiles, earthing bar and earthing cables for doors and panels.

Example:

The cat. no. WZ-SZB-018-1AAA-14-2422-011 means SZB cabinet, usable height 42 U, width 800 mm, depth 600 mm. The cabinet is equipped with front glass door, two removable side panels and removable rear panel. The top is covered with the standard roof. Cabinet is situated on 100 mm plinth. Rear side of the plinth with brush opening for cable entry, all other sides are perforated. Doors, panels and roof are earthed. Cabinet interior is equipped with four mounting profiles installed to the frame by means of 8 outriggers.

Ordering instruction

1. When ordering the SZB cabinet, please provide the appropriate **catalogue number according to the above information**, which specifies the overall dimensions, type of doors, panels, roof and base.
2. The next step is to specify **catalogue numbers of supplementary accessories** (such as: shelves, blanking plates, power strips, fan units etc. - see pages 73-108). Supplementary accessories are delivered in separate packaging including fixing hardware. On request it is also possible to mount supplementary accessories in the cabinet.

Maximum load capacity for SZB cabinets

Base type	Maximum weight of equipment mounted in cabinet
levelling feet	600 kg
castors - type 150	150 kg
castors - type 300	500 kg
plinth	600 kg

EXAMPLES OF SZB CABINETS



Note:

Symbols given in square parentheses [] refer to diagrams on page 15 – Door and panel types

EXAMPLES OF SZB CABINETS



3 U module panel mounted in 600 mm wide cabinet



2 pcs. of 3 U module panels mounted in the 600 mm wide cabinet

Note:

Symbols given in square parentheses [] refer to diagrams on page 15 – Door and panel types.

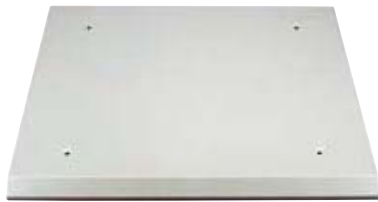
ROOF TYPES FOR SZB CABINETS



[1] Standard roof. After removal of the knock-out blanking plate from the roof, the cable opening can be completed with brush strip - see pages 78-79.



[2] Roof with extra perforation (top)



[3] Tight roof with IP 41 protection



[4] Roof with opening 380x210 mm for blanking/cable entry plate 420x250 mm (blanking/cable entry plate should be ordered separately -- see pages 78-79)

Note:

Numbers given in square parentheses [] refer to diagrams on page 15 – Roof types.

EXAMPLES OF NON-STANDARD SZB CABINETS



SZB cabinet with easy adjustment of 19" mounting profiles



SZB cabinet 42 U height, 800 mm wide with 10 U swing frame. Non-standard version (detailed description of swing frames SZB cabinet with easy adjustment of 19" mounting profiles - see page 88).

EXAMPLES OF NON-STANDARD SZB CABINETS

SZB cabinet 1000 mm wide, double-sectioned. Left section equipped with 19" mounting profiles. Right section with mounting angles in 300 mm spacing. Tailor made.



SZB cabinet 600 mm wide with double-wing door - tailor made